



AT-AM4-1644-15XC

Active Multiplier x4, 16-44GHz Pout=+15dBm

Active X4, 16-44GHz Broadband



Description:

AT-AM4-1644-15XC is a broadband frequency multiplier. The multiplier has an input frequency of 4-11GHz with a typical output +15dBm from 16-44GHz.

The integrated input and output buffers deliver high output power at a low drive level. The multiplier also has a typical harmonic suppression. The input port is SMA female, and the output is 2.92mm Female. Other port configurations are available under different requirement.

More information, please visit www.atmicrowave.com

Feature

- ✓ Frequency: 16-44GHz
- ✓ Pout: +15dBm typical
- ✓ Input: 4-11GHz
- ✓ Low Harmonics

Application

- ✓ 28/39GHz 5G Communication
- ✓ Test Equipment
- ✓ ROF (RF Over Fiber)
- ✓ Radar System

Electrical Specifications:

Parameter	Min	Typical	Max
Input Frequency		4-11GHz	
Input Power	0	+3dBm	+6dBm
Multiplier Factor		X4	
Output Frequency		16-44GHz	
Output Power	+14dBm	+15dBm	
Drain Voltage		+5V	+8V
X3/x5 suppression vs X4 Pout		-15dBc	
Current		280mA	
Spec Temp		25C	





AT-AM4-1644-15XC

Active Multiplier x4, 16-44GHz Pout=+15dBm

Mechanical Information

Item	Description
Input Port	SMA Female
Output Port	2.92mm Female
Case Material	Copper
Finish	Gold Plated
Weight (Without Heatsink)	80g
Size:	See outline

Absolute Maximum Ratings Table

Parameter	Value
Drain Supply	+13V
RF Input Power	+10dBm
Operating Temperature	-40 to +85C
Storage Temperature	-65 to +150C

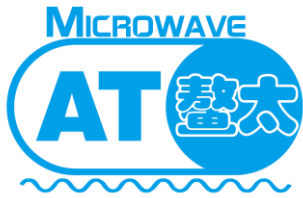
Notes:

- ✓ Datasheet may be changed according to update of MMIC, Raw materials , process, and so on.
- ✓ This data is only for reference, not for guaranteed specifications.
- ✓ Please contact AT Microwave team to make sure you have the most current data.
- ✓ Always pay attention to the temperature of the case, heatsink and fan are required if case temperature exceeds over 50C.

Part Number Selection Guide

Item	Description
PN	Stand Module with DC Power Supply
PN-LCBT	L ow Cost, C ompact B ench- T op, +220V Supply with AC/DC Adapter





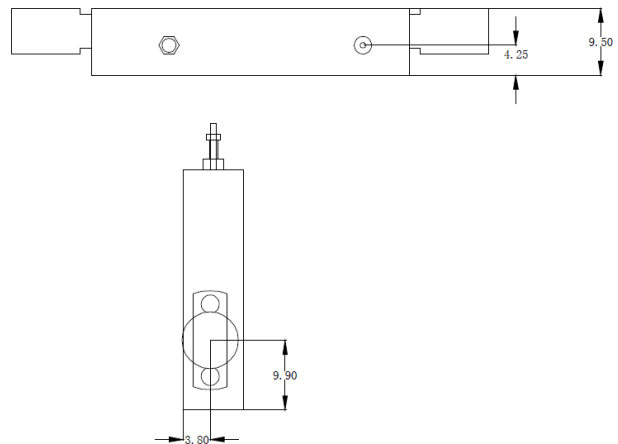
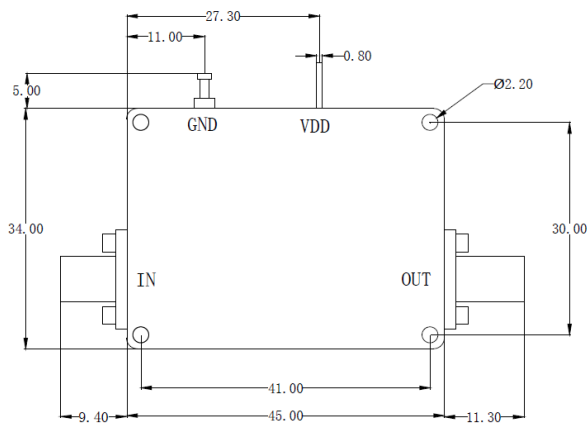
AT-AM4-1644-15XC

Active Multiplier x4, 16-44GHz Pout=+15dBm

Test Data (25C)

Please note that test curves will vary slightly from unit to unit.
To be added.

Dimension: (Unit:mm)



	<26.5GHz	<40GHz	<50GHz	<67GHz
Connector	SMA	2.92mm	2.4mm	1.85mm
Length of a	9.4mm	9.5mm	10.8mm	11.3mm

Note: Female Default. Contact with us for other types.

Heat Sink Required If Case Temp Higher Than 50C

